

Gable Solar Fan Installation Instructions



10821 North 23rd Avenue, Suite 1
Phoenix, AZ 85029
www.solaratticfan.com
800-363-9865

IMPORTANT: Please take the time to read through the ENTIRE instructions prior to starting any work.

Precautions

1. Ensure normal safety precautions are taken when using tools, ladder and walking on roofs.
2. Do not cut any structural members in the house.
3. Install only in dry weather.

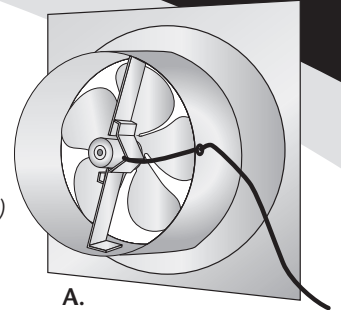
Tools Required

- Power Drill
- Phillips Screwdriver
- Caulking Gun
- Ladder
- Electrical Tape
- 1/4" Masonry Bit (for tile roofs)

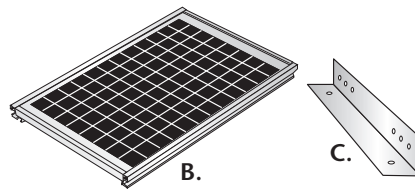
Gable Fan Installation Kit:

- A. Gable Fan
- B. Solar Panel
- C. (2) L-Brackets
- D. Caulk
- E. Power Cable Adapter
- F. (14) Wood Screws (around shroud)
- G. (4) Machine Screws (shingle roofs)
- H. (4) Self-Tapping Screws (L-bracket to panel)
- I. (4) Anchors (tile roofs)

NOTE: Use I & G screws for tile installs



A.



B.

C.



D.



E.



F.



G.



H.



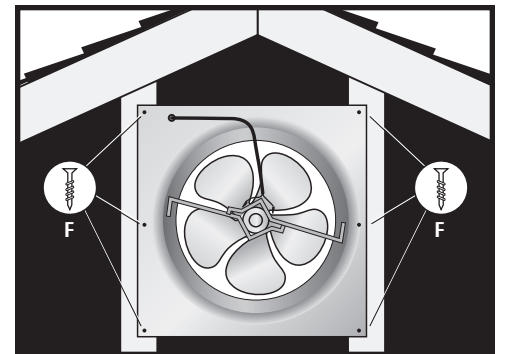
I.



Installation Pointers

When determining location of the solar panel, consider potential problems such as objects shading the unit during certain times of the day (southern exposure is recommended). To ensure proper ventilation, install the Gable Solar Fan so that it covers the entire gable opening.

Step 1 Choose location to install the gable fan. The fan must be installed between studs in the gable area. For proper ventilation, the fan unit must cover the entire gable opening. If the gable opening is larger than the fan unit shroud, the excess opening must be blocked. **DO NOT CUT ANY WOOD FRAMING.** From inside the attic, position the gable fan (with the motor facing the attic) to the desired location and secure the shroud with the provided wood screws (see Figure 1).



(view from inside attic) Figure 1

Step 2 Locate area to install the solar panel on the roof where it will gather the most amount of sunlight (southern exposure is recommended). Attach the L-brackets to the long sides of the solar panel with the self-tapping (H) screws into the pre-drilled holes on the panel frame. Attach solar panel to roof using the provided wood screws (see Figure 2). Caulk around the wood screws to prevent leaks.

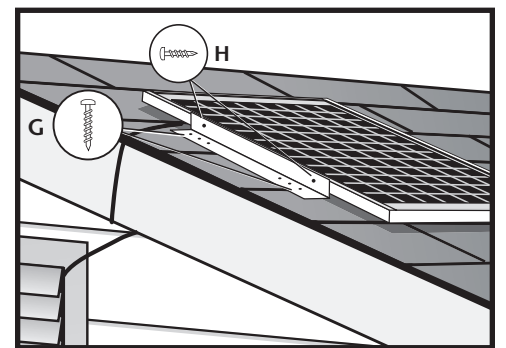


Figure 2

Step 3 Use one of the following two options for routing the power cable from the fan to the solar panel:

OPTION 1: Route the power cable from the fan unit through the gable vent and along the outside of the house up to the roof.

OPTION 2: Drill a small hole next to the solar panel on the roof. Route the power cable from the fan unit through the attic and up through the hole. Caulk around hole to prevent leaking.

Step 4 Connect the power cable from the fan unit to the power cable from the solar panel. Connect the black wire to the black wire and the red wire to the red wire (see Figure 3). If the power cables do not reach, use the provided adapter cable. If wire connections are located outside of the attic space, wrap the connections with electrical tape to prevent water infiltration. Secure any loose wires using wire staples (not provided).

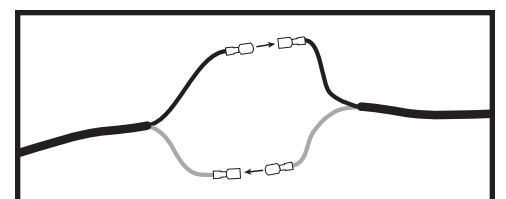


Figure 3



Natural Light

GABLE SOLAR FAN

WARRANTY

This Natural Light Gable Solar Fan has a 25 year warranty on the housing, 15 year warranty on the solar panel and a 5 year warranty on the motor.

IMPORTANT: PLEASE COMPLETE AND MAIL THE CARD BELOW AS SOON AS YOUR SOLAR ATTIC FAN IS INSTALLED. This card will serve as proof of your purchase, should you misplace your original invoice.

The manufacturer warrants this product to be free from defects in material and manufacturer's workmanship for a period of five years on the motor, 15 years on the solar panel, and 25 years on the housing, from the date of installation. This warranty is subject to proper installation of the unit in accordance with the manufacturer's written installation instructions. The manufacturer will not be liable for any special, incidental or consequential damages in any way related to, or arising out of, defects in, or damage to, the gable solar fan.

This warranty gives you specific legal rights, and you may have other rights which vary from state to state concerning exclusion or limitation of incidental or consequential damages.

Please fill out the form below and mail it to:

Natural Light Energy Systems • 10821 North 23rd Avenue, Suite 1 • Phoenix, AZ 85029

REGISTRATION

Natural Light Gable Solar Fan Installer: _____

Date of Purchase: _____

Customer Name: _____

Address: _____

City: _____ State: _____ Zip: _____

Customer Survey

Are you satisfied with the performance? Y N

What made you choose our product?

Were you satisfied with the installation job?

Comments:
