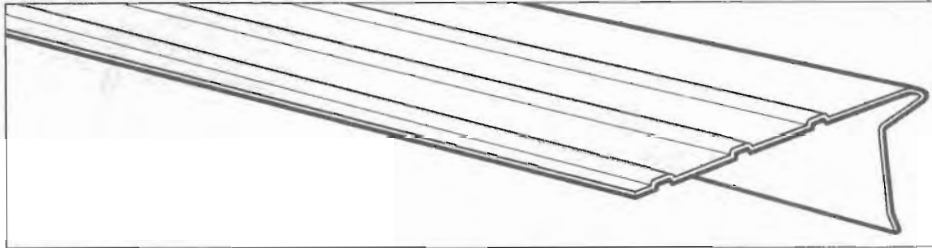




VAIL Titan Select and Majestic Copper Metal Roofing System Profile

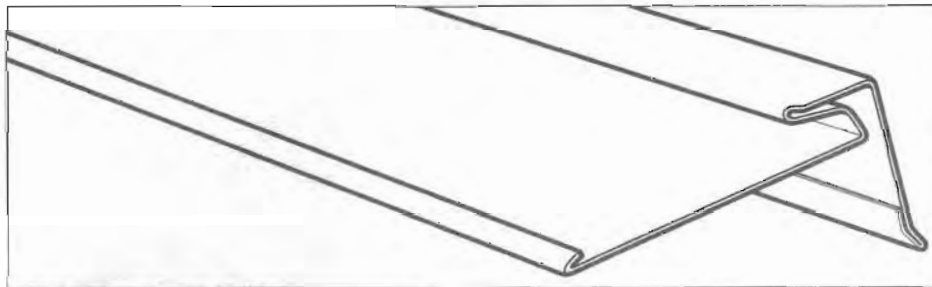
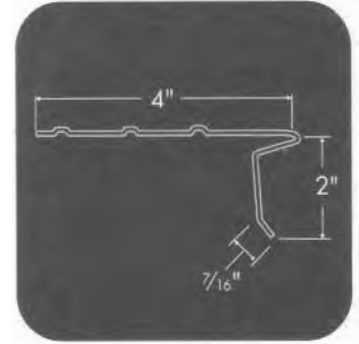
Metal Accessories and Profiles



Eave Drip Edge

Individual Piece Length: 10 ft.
 Packaging: 5 pcs. per box = 50 ft.

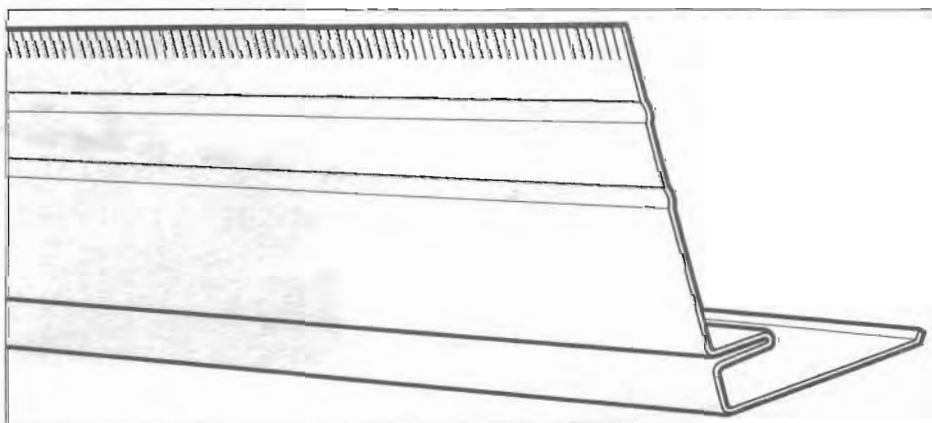
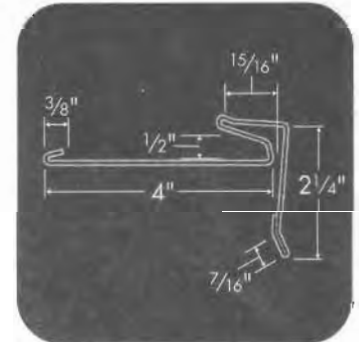
Metal used as a starter at the eave to connect and secure the field panels to the roof system.



Rake Edge

Individual Piece Length: 10 ft.
 Packaging: 5 pcs. per box = 50 ft.

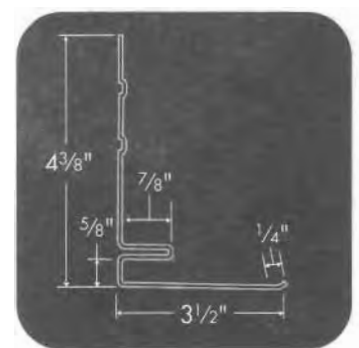
Metal used on rake edge/gable edge for start & finish of field panels.

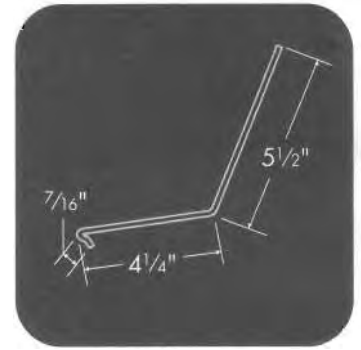
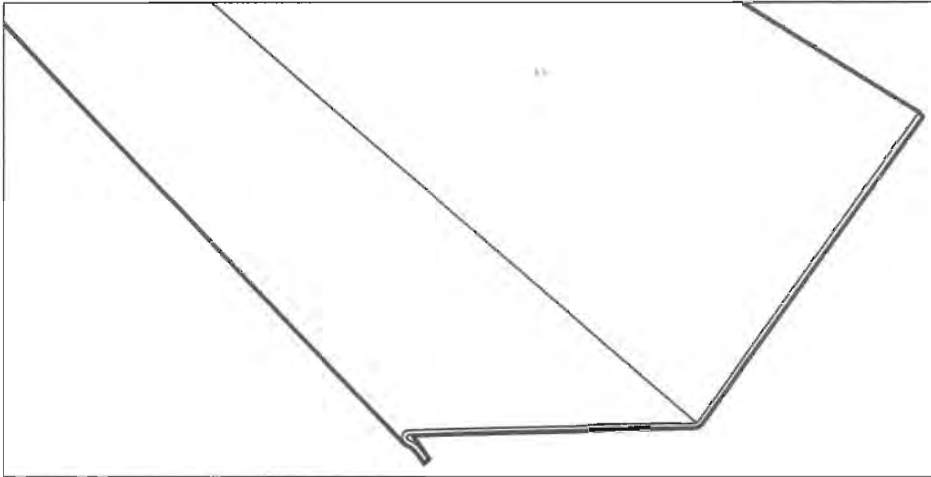


Sidewall (roof to wall)

Individual Piece Length: 10 ft.
 Packaging: 5 pcs. per box = 50 ft.

Metal used to divert water down the roof slope where the field panels and a wall connect. Metal also used for skylights, chimneys, etc.



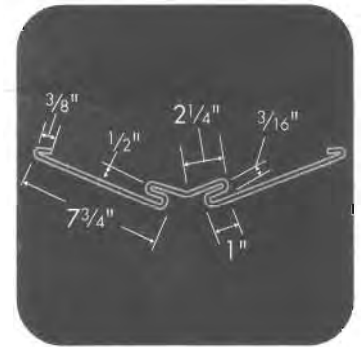
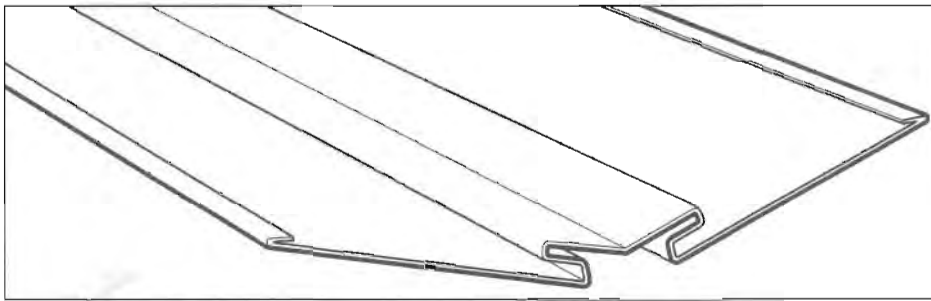


End Wall-Pitch Change Flashing

Individual Piece Length: 10 ft.

Packaging: 5 pcs. per box = 50 ft.

Metal used where a change in roof slope occurs or where the roof terminates at an upper slope wall, dormer or fireplace.

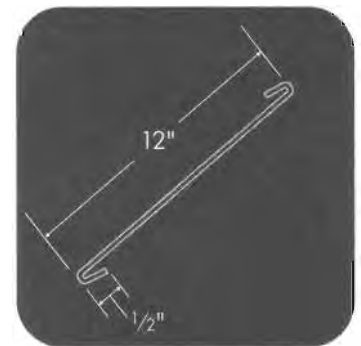
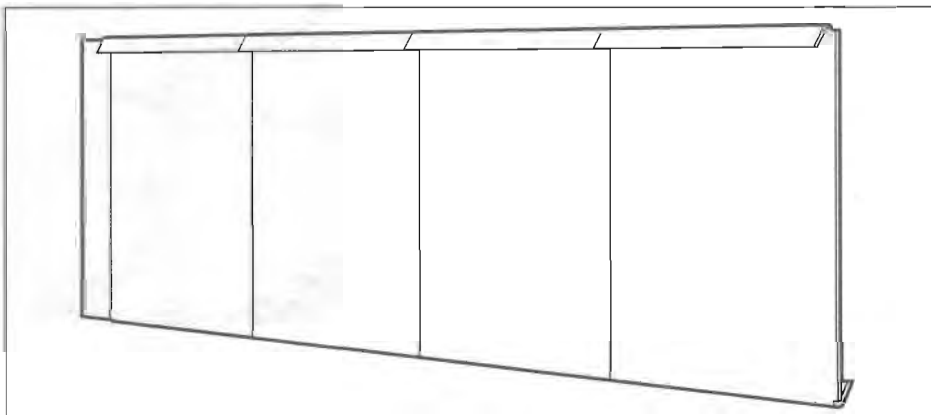


Valley Metal

Individual Piece Length: 10 ft.

Packaging: 3 pcs. per box = 30 ft.

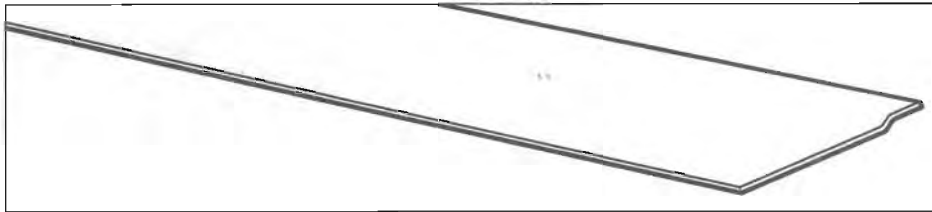
Metal used in the valley area.



Field Panel (Shingles)

Packaging: 13 panels per box; 3 boxes per sq. = 39 pcs.

VAIL Metal shingles have a top and bottom hem which interconnect to form a roof covering.

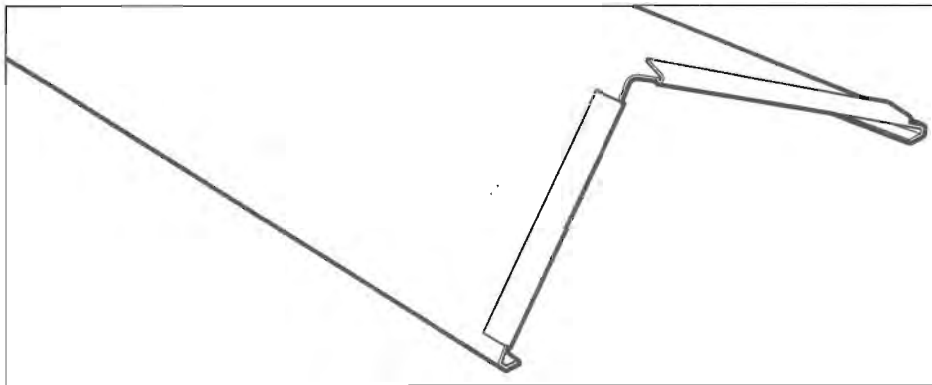
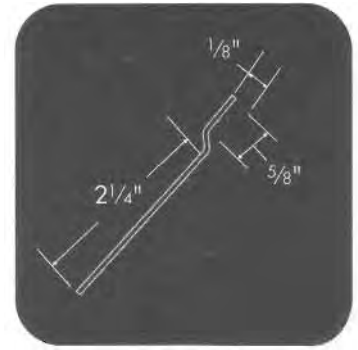


Continuous Cleat

Individual Piece Length: 10 ft.

Packaging: 5 pcs. per box = 50 ft.

Metal used in conjunction with endwall flashing metal and peak flashing metal as an alternate to the bottom hem of a panel to secure the endwall or peak flashing metals to the roof system. Continuous cleat is also used in short course areas.

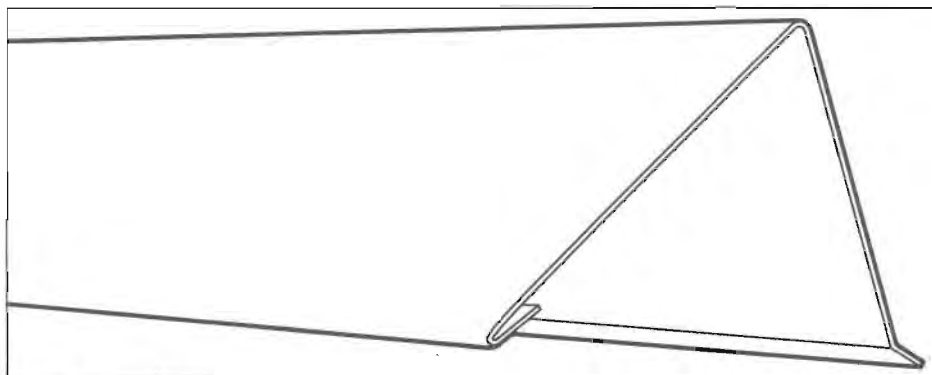
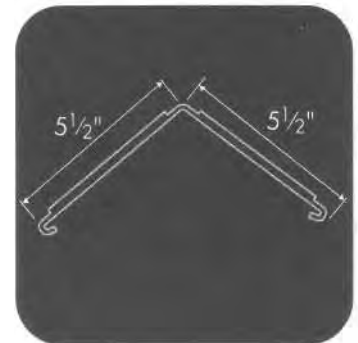


Hip and Ridge

Individual Piece Length: 1 ft.

Packaging: 10 pcs. per box = 10 ft.

Metal pieces that interconnect to secure the field panels, at both the hip and ridge locations, preventing water from entering the system.

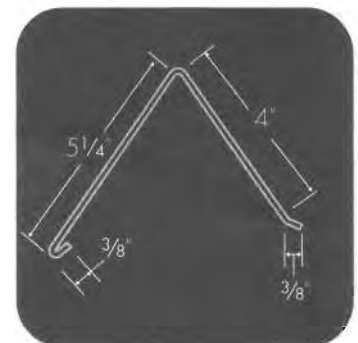


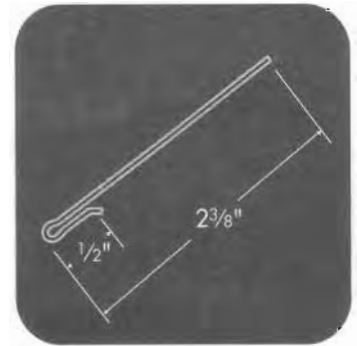
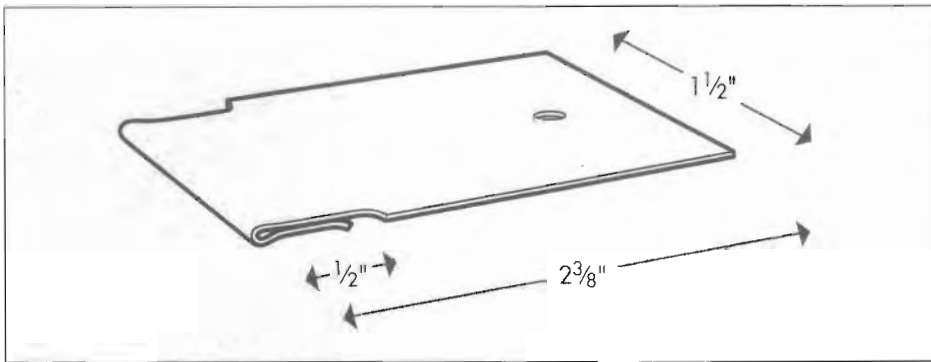
Peak Flashing

Individual Piece Length: 10 ft.

Packaging: 5 pcs. per box = 50 ft.

Metal used to finish and secure the field panels where the roof slopes up and terminates, with no ridge or wall.

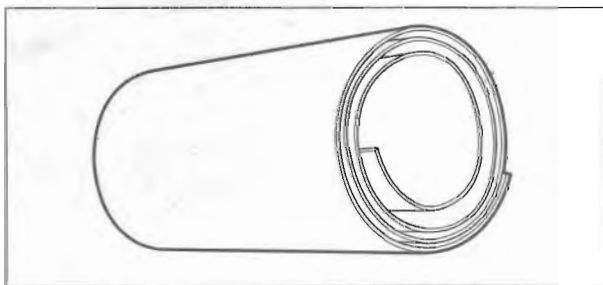




Install Clips

1000 per box

Small individual pieces of folded metal used to secure the field panels at the top hem, as well as valley and hip and ridge pieces to the roof using a nail of the same origin as the metal (copper with copper). A nail hole has been created in each piece.

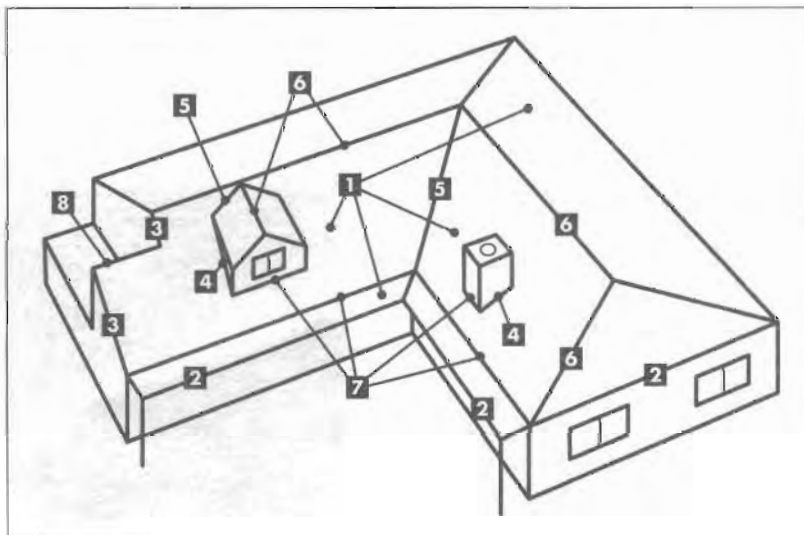


Flat Stock - Rolls

Individual Piece Length: 30 ft.

Packaging: 1 pc. per box = 30 ft. x 2 ft.

Metal available for special metal bends and cuts not covered by our other manufactured metal pieces (i.e. fireplace saddles, flat valley connections, etc.).



VAIL Majestic Copper and Titan Select Metal System Profile, Showing the Roof Product and the Location

1. Field Panels
2. Eave Drip Edge
3. Rake Edge
4. Side Wall
5. Valley Metal
6. Hip and Ridge
7. End Wall / Pitch Change Flashing
8. Peak Flashing



CUSTOM-BILT METALS

13940 Magnolia Avenue

Chino, CA 91710

800-826-7813

www.custombiltmetals.com

CUSTOM-BILT METALS SHALL NOT BE RESPONSIBLE FOR ANY DAMAGE, LOSS, COST, EXPENSE OR LIABILITY RELATING TO FAILURE TO FOLLOW THESE APPLICATION INSTRUCTIONS. FAILURE TO FOLLOW THESE INSTRUCTIONS MAY AFFECT CUSTOM-BILT METALS OBLIGATIONS UNDER THESE PRODUCTS' LIMITED WARRANTIES.